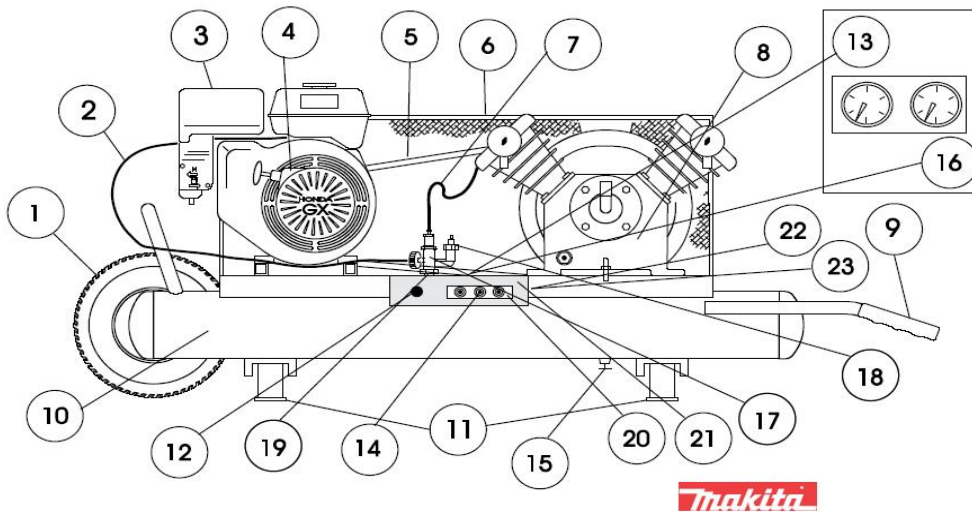




10 - 2010  
**MAC5500G / MAC5500GS**  
**ENGINE COMPRESSOR**

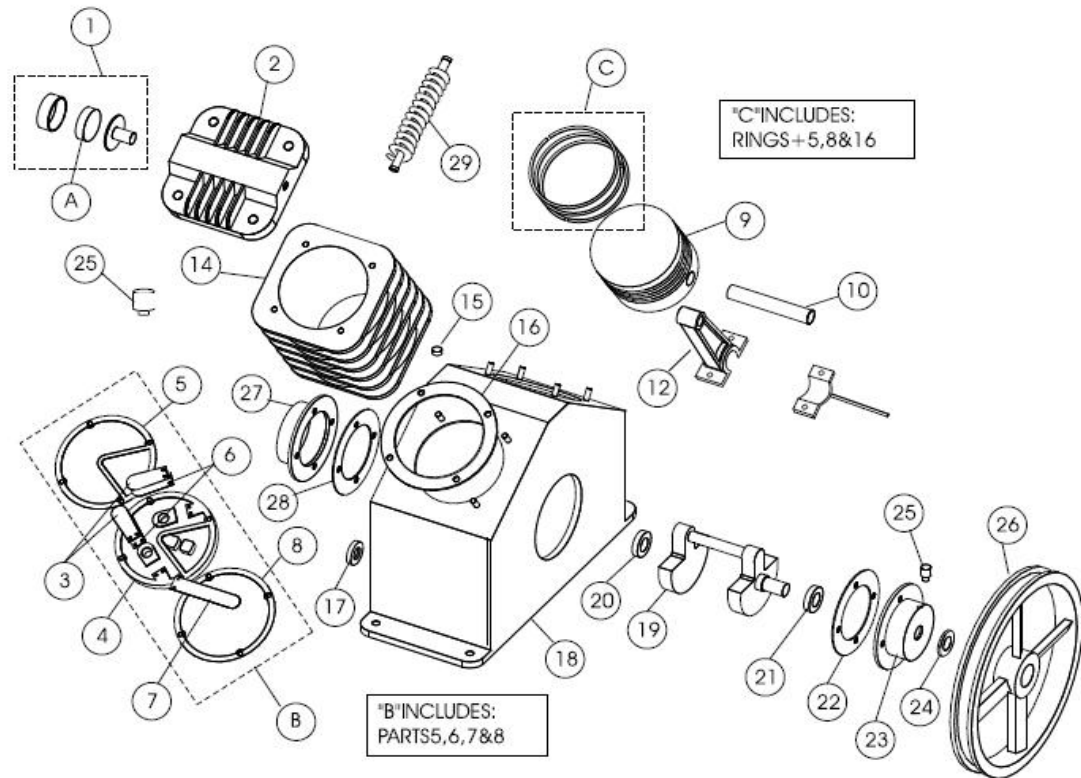


PB-EN-MKTA-240907

Item No.	Type	Sub	Part No.	Description	Qty	Unit
1			TT-WHEEL	PNEUMATIC WHEEL/AXLE	1	PC.
2			TCP-36	THROTTLE CONTROL CABLE SMALL (MAC5500G)	1	PC.
2A			TCLP-36	THROTTLE CONTROL CABLE LARGE (MAC5500GS)	1	PC.
3			GX160K1QX6	ENGINE	1	PC.
4			MAL37	PULLEY - ENGINE	1	PC.
4			LX3/4	PULLEY BUSHING - ENGINE	1	PC.
5			4L530	V-BELT	1	PC.
6			TT-GUARD	BELT GUARD	1	PC.
7		1	TU-25-AL	25.75" DISCHARGE TUBE W/ FITTINGS	1	PC.
		2	TU-20-AL	20.75" DISCHARGE TUBE W/ FITTINGS	1	PC.
8			PV02A	COMPRESSOR W/ FLYWHEEL (See Page 2 ~)	1	PC.
9			435017	HANDLE GRIP	2	PC.
10			10TT41X5-M	AIR RECEIVER	1	PC.
11			TT-FOOT	VIBRATION DAMPER	4	PC.
12			410029	REGULATOR	1	PC.
13			411029	PRESSURE GAUGE (REGULATOR)	1	PC.
14		1	447013	QUICK COUPLER (1/4")	1	PC.
		2	10TT-8	QUICK COUPLER (1/4")	1	PC.
15		1	DC1/4	DRAIN COCK (Ball Valve Style)	2	PC.
		2	240-B	DRAIN COCK (Wing Style)	2	PC.
16			411029	PRESSURE GAUGE (TANK)	1	PC.
17			LMV100F	PILOT UNLOADER W/ CHECK VALVE	1	PC.
18			PSV1/4-150	PRESSURE SAFETY VALVE	1	PC.
19		1	TU1/4	FLEX TUBE	1	PC.
		2	TU1/4BLK	UNLOADER TUBE 30" W/ FITTING	1	PC.
	Opt.		TU1/4BLKMAC	UNLOADER TUBE 30" W/ FITTING (2.5 foot tube between Switch and Check Valve)	1	PC.
20			CPL-MAN	TRIPLE MANIFOLD BLOCK	1	PC.
21		1	CRTL PAN	CONTROL PANEL	1	PC.
		2	CNTRLPAN	CONTROL PANEL	1	PC.
22			151001	1/8" ELBOW	1	PC.
23			151209	1/4" ELBOW	1	PC.
24			TT-HOSE	REGULATOR HOSE (Between Tank and Regulator)	1	PC.
25			WA1001	AXLE F/ WHEEL #TT-WHEEL	1	PC.

Item No.	Type	Sub	Part No.	Description	Qty	Unit
26			TT-GUARD-BR	BRACKET FOR BELT GUARD (TT-GUARD) (Added)	1	PC.
30			353001	SCREW F/PRESSURE GAUGE (REGULATOR)	1	PC.
31			371001	NUT F/PRESSURE GAUGE (REGULATOR)	1	PC.
32			CNTLPANASSY	CONTROL PANEL ASSEMBLY	1	PC.
		INC.		ITEM. 12, 13, 14, 19, 20, 21, 24		

**10 - 2010**  
**MAC5500G / MAC5500GS**  
**COMPRESSOR WITH FLYWHEEL**



PB-EN-MKTA-240907

Item No.	Type	Sub	Part No.	Description	Qty	Unit
1	2		MAIF35	INTAKE FILTER ASSY W/O RETAIL PACKAGING	2	PC.
		INC.	82513-0505	BUTTERFLY NUT	1	PC.
		INC.	-----	GASKET	1	PC.
2			52122-0101	CYLINDER HEAD	2	PC.
-			81501-030845	SCREW (F/CYLINDER HEAD)	4	PC.
3			51121-3102	LIFT LIMITER - DISCHARGE VALVE VLATE	4	PC.
4			52122-2101	VALVE SEAT	2	PC.
5			52122-2105	VALVE SEAT TO HEAD GASKET	2	PC.
6			51121-2103	DISCHARGE VALVE PLATE	4	PC.
7			52122-2103	INTAKE VALVE PLATE	2	PC.
8			52122-2104	VALVE SEAT TO CYLINDER GASKET	2	PC.
9			51122-5101	PISTON	2	PC.
10			51122-5112	PISTON PIN C/W SNAP RINGS	2	PC.
12			51122-5120	CONNECTING ROD C/W DIPPER	2	PC.
14			52122-4101	CYLINDER	2	PC.
15			51111-4719	OIL FILLER CAP	1	PC.
16			51122-4103	CYLINDER TO CRANKCASE GASKET	2	PC.
26			51111-4770	OIL SIGHT GLASS C/W GASKET	2	PC.
		INC.	-----	O RING - N/A individually	1	PC.
18			51122-4701	CRANKCASE	1	PC.
19			51122-4601	CRANKSHAFT	1	PC.
20			83501-6205	FRONT BEARING	1	PC.

Item No.	Type	Sub	Part No.	Description	Qty	Unit
21			83501-6205	REAR BEARING	1	PC.
22			51122-4704	CRANKCASE TO REAR BEARING HOUSING GASKET	1	PC.
23			51122-4703	REAR BEARING HOUSING	1	PC.
24			51122-4708	OIL SEAL	1	PC.
25			51111-4761	CRANKCASE BREATHER	1	PC.
26			51122-6601	FLYWHEEL C/W FASTENERS	1	PC.
27			51122-4706	FRONT BEARING HOUSING	1	PC.
28			51122-4707	CRANKCASE TO FRONT BEARING HOUSING GASKET	1	PC.
29			51122-7710	CONNECTING (INTERSTAGE) TUBING	1	PC.
Misc			STREL1/4	1/4" STREET ELBOW (OIL DRAIN)	1	PC.
Misc			83610-113025	REAR BEARING SNAP RING	1	PC.
Misc			51121-7702	INTERSTAGE "Y" FITTING	1	PC.
Misc			51112-7701	INTERSTAGE "ELBOW" FITTING	1	PC.
Misc			EAOIL10	EAGLE OIL (590ML OR 20OZ)	1	PC.
A			MAIF35E	INTAKE FILTER ELEMENT	1	PC.
B			101000-165	VALVE REPAIR KIT	2	PC.
	INC.		52122-2105	VALVE SEAT TO HEAD GASKET (Item 5)	1	PC.
	INC.		51121-2103	DISCHARGE VALVE PLATE (Item 6)	2	PC.
	INC.		52122-2103	INTAKE VALVE PLATE (Item 7)	1	PC.
	INC.		52122-2104	VALVE SEAT TO CYLINDER GASKET (Item 8)	1	PC.
	INC.		50000-2000	VALVE PLATE SCREWS	6	PC.
C			101000-265	RING REPAIR KIT	2	PC.
	INC.		52122-2105	VALVE SEAT TO HEAD GASKET (Item 5)	1	PC.
	INC.		52122-2104	VALVE SEAT TO CYLINDER GASKET (Item 8)	1	PC.
	INC.		51122-4103	CYLINDER TO CRANKCASE GASKET (Item 16)	1	PC.
	INC.		-----	COMPRESSION RINGS (N/A as individually)	2	PC.
	INC.		-----	OIL CONTROL RING (N/A as individually)	1	PC.
D			52122-2100	VALVE PLATE ASSEMBLY	2	PC.
	INC.		51121-2103	DISCHARGE VALVE PLATE (Item 6)	2	PC.
	INC.		51121-3102	LIFT LIMITER - DISCHARGE VALVE VLATE (Item 3)	1	PC.
	INC.		52122-2101	VALVE SEAT (Item 4)	1	PC.
	INC.		51121-3101	METAL TRIANGLE	2	PC.
	INC.		50000-2000	VALVE PLATE SCREW	4	PC.